

# EVEREADY FLOOD CONTROL WE STOP BASEMENT FLOODING



**CALL FOR A FREE ESTIMATE  
773/533-4800**

*Installed so only  
you will know  
it's there!*



A recessed inspection cover is planted with the same grass as the yard. You can now mow over it with no trouble at all. A regular concrete and metal cover is also available.

Eveready Flood Control  
9301 Chestnut  
Franklin Park Il 60131



If you don't know any  
reverse Rain Dances

AN **EVEREADY**<sup>®</sup> FLOOD CONTROL SYSTEM  
CAN keep your basement **DRY** during sewer back-ups and Flooding

**You KNOW the BIG DAMAGE CAUSED BY FLOODING**

Your home is an island with water all around — water under pressure — GROUND WATER — SEWER WATER — RAIN WATER. Water is everywhere and soon the sewers are overloaded and the FLOODING begins. The sewer water backs up into your basement — the drain and ground water have no place to go — More Flooding — Pressure can buckle and crack your floors and foundations. The MESS and DAMAGE means cleaning up and creates a health hazard. There can be short circuits and electrical problems. The LOSS and DAMAGE to expensive and unreplaceable items is tremendous.

There are other systems and valves available, they help a little

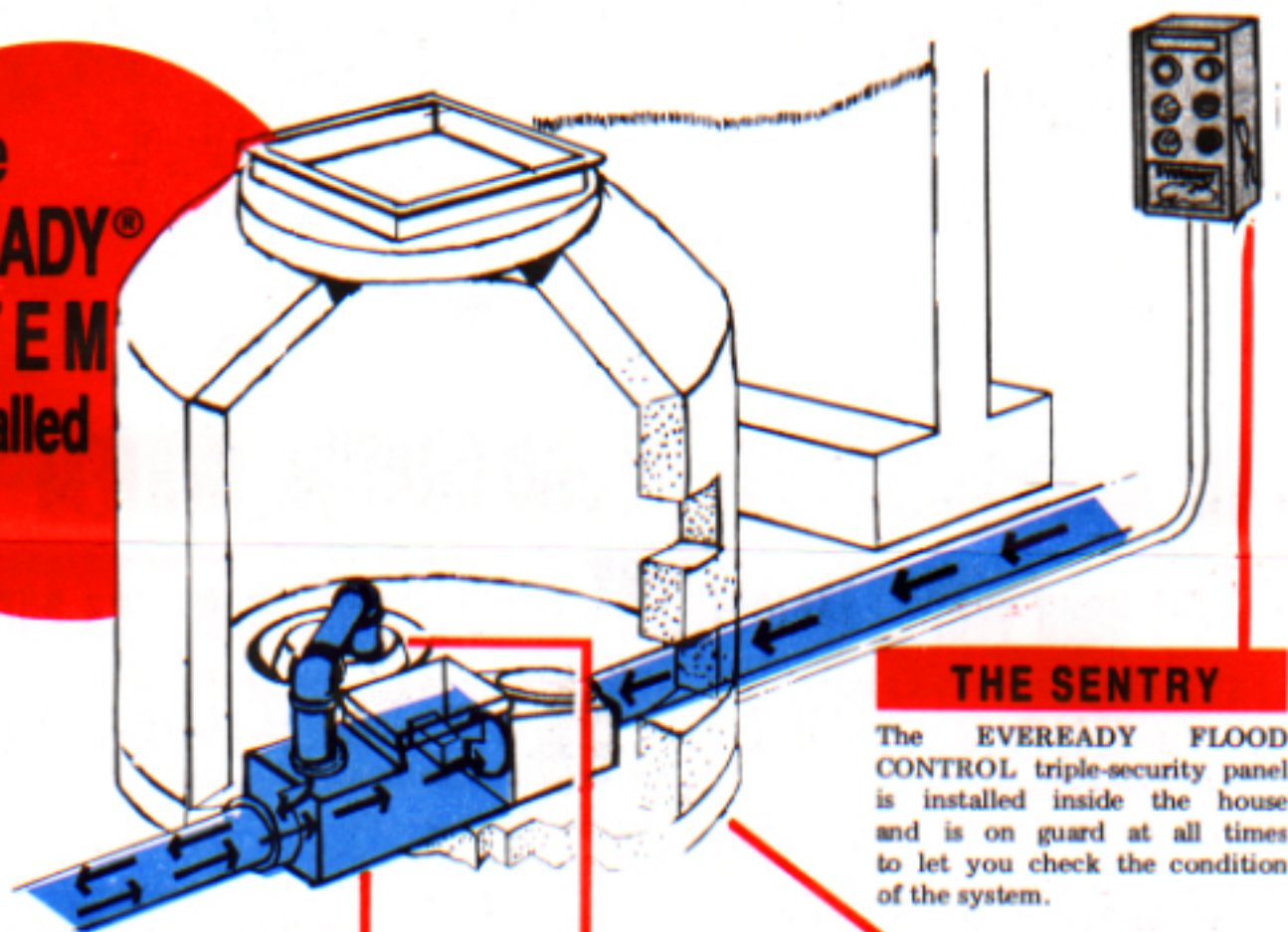
and then only under certain conditions. The EVEREADY FLOOD CONTROL SYSTEM with the EVEREADY-DELL valve provides absolute protection from sewer water back-up and does it AUTOMATICALLY — Our SYSTEM controls and disposes excess water and KEEPS YOUR BASEMENT DRY. NO MORE WORRY — you finish that family room — INSTALL that extra bath — SLEEP at ease — GO AWAY (on vacation) knowing there will be no more costly damage. The EVEREADY FLOOD CONTROL SYSTEM is a home-improvement and is readily financed with your bank or savings and loan and thru F.H.A. and adds dollars to the resale price.

*The cost of the system can be repaid many times over by avoiding that one loss.*

**CALL 773/533-4800 TODAY for a FREE ESTIMATE  
PROTECT YOUR HOME.**

# Here's how an **EVEREADY**<sup>®</sup> FLOOD CONTROL SYSTEM **PROTECTS** **YOU** from SEWER Back-up and Flooding

the  
**EVEREADY**<sup>®</sup>  
**SYSTEM**  
as installed



## THE SENTRY

The EVEREADY FLOOD CONTROL triple-security panel is installed inside the house and is on guard at all times to let you check the condition of the system.

## THE VALVE

The EVEREADY DELL valve is the finest and most advanced backwater valve on the market. It requires no change in your present plumbing system, other than cutting into the existing sewer piping outside the house. The valve reacts instantly to sewer back-flow and *stops it completely* before it has a chance to enter your house. The flood-valve closes **AUTOMATICALLY** and the **HIGHER** the water **RISES**, the **TIGHTER** the valve closes and it requires no electricity, so operates during power failures. When the flood-valve is closed, the excess water and waste is diverted thru the by-pass valve to the ejector pump.

## THE PUMP

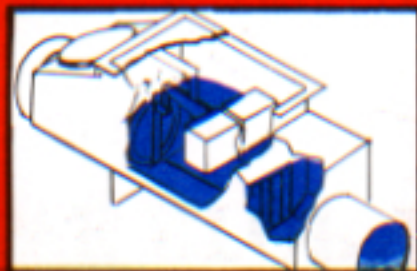
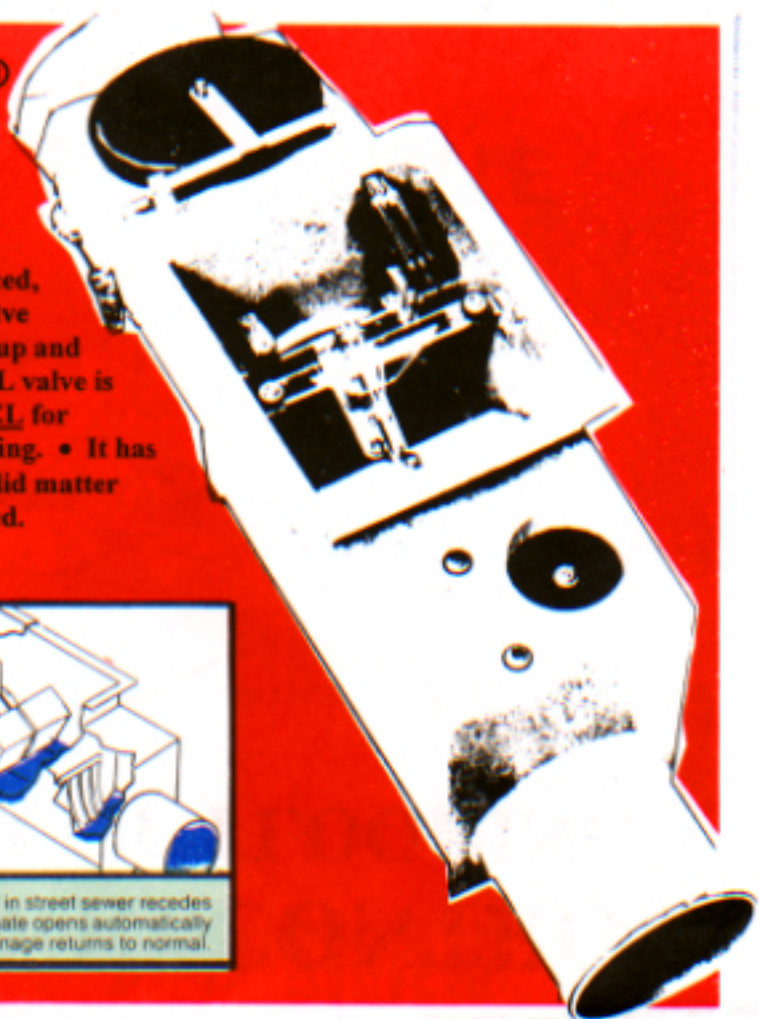
The heavy-duty ejector pump takes the excess water and waste from the by-pass valve around and past the flood-valve and into the sewer main and so allows you to use your plumbing facilities during flood conditions. Water and pressure do not have a chance to build up in your house lines.

## THE HOUSING

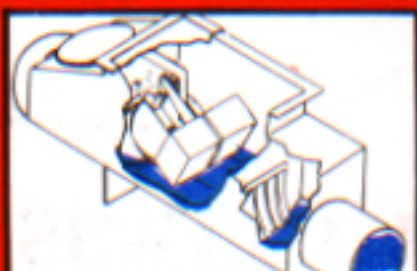
EVEREADY FLOOD CONTROL installs a fully finished pre-cast manhole basin (when applicable) with a recessed cover to house the EVEREADY-DELL valve and the ejector pump. It is large enough for easy servicing and is placed outside so there will be no odors or noise in the house — or inside mess during installation.

# The EVEREADY® DELL VALVE

It is a compact unit equipped with a precision, balanced, float operated system. This time-tested backwater valve provides absolute protection from sewer water back-up and does it **AUTOMATICALLY**. The EVEREADY-DELL valve is fabricated with **HEAVY GAUGE STAINLESS STEEL** for permanency for trouble-free service and positive closing. • It has a specially designed backwater strainer to prevent solid matter from blocking the flood-valve. • It is fully warranted.



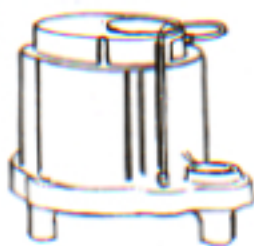
Rising water in sewer line lifts the float. This in turn operates the flood gate, completely sealing off the main sewer line, preventing backflow.



When water level in street sewer recedes to normal, flood gate opens automatically and building drainage returns to normal.

## EJECTOR PUMP

Heavy-duty, submersible ejector pump that cannot flood out. The manual-automatic control allows operation of the pump at any time. Motor and bearings in an oil-filled hermetic housing. A high-volume pumping unit with a special non-clog impeller, all for maximum service. A specially designed unit. It is fully warranted.



## EVEREADY FLOOD CONTROL

### TRIPLE CHECK SECURITY PANEL

A specially designed SENTRY that safeguards the electrical system. An AMBER light means all is in proper working condition — a WHITE light tells when the pump is in duty — a RED light warns that there is a malfunction. The momentary switch allows manual testing of the ejector pump. It is fully warranted.



## THE QUALITY WORKMANSHIP

**QUALITY** is no ACCIDENT —  
**QUALITY** is the RULE with  
**EVEREADY FLOOD CONTROL**

We believe there is no substitute for quality — in workmanship — in units — in parts — in everything we do or use. All must be the best available from the EVEREADY-DELL valve, the Ejector pump, the Security panel all the way to the smallest item. Our men think Quality and do Quality work. The installation is made quickly and neatly with the least amount of inconvenience. **WE HAVE THE FINEST PRODUCT ON THE MARKET. WE KNOW WHAT WE ARE DOING.**